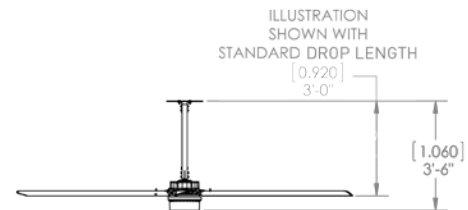


## STANDARD FEATURES

- Clearcoat anodized patented airfoil blades with centrifugal cooling
- Forward, reverse, variable speed
- Wash Down Duty rated, IP65 for indoor and outdoor use
- 50,000-hour warranty
- Safety Components: Safety Cable, Standard Mount with Guy Wires, Blade Retainer Links



## VOLTAGE

Item #	Voltage Options	Single Phase, Qty	Three Phase, Qty
P550-550L-MA	AVD3 Low Voltage - 208-240V +/-5%, 50/60 Hz		
P550-550H-MA	AVD3 High Voltage - 480V +/-5%, 50/60 Hz	--	

## DIAMETERS

Item #	Diameter	HP/Power Usage	Industrial Spacing**	Qty
60-30010-00	10 ft / 3.05 m	1.05 HP / 480 W	55 ft [16.8 m]	
60-30012-00	12 ft / 3.66 m	1.05 HP / 510 W	60 ft [18.3 m]	
60-30014-00	14 ft / 4.27 m	1.05 HP / 590 W	70 ft [21.3 m]	
60-30016-00	16 ft / 4.88 m	1.05 HP / 430 W	75 ft [22.9 m]	
60-30018-00	18 ft / 5.49 m	1.05 HP / 610 W	80 ft [24.4 m]	
60-30020-00	20 ft / 6.10 m	1.05 HP / 780 W	90 ft [27.4 m]	
60-30024-00	24 ft / 7.32 m	1.05 HP / 810 W	95 ft [29 m]	

## MOUNTING

Item #	Mount Options	Qty
60-50104-00	Standard Mount: I-beam Hardware Kit (Standard)	
60-50103-00	AVD Universal Mount: I-beam Hardware Kit	
60-40041-00	Glulam Hardware Kit	

## ADDITIONAL OPTIONS

Item #	Description	Qty
10-60200-00	AVD Fuse Disconnect Switch	
10-40195-00	Noise Dampener	
60-41002-00	AVD 550/780/AVD3 Light Kit, Building Circuit	
30-04003-00	MacroAir Network Controller 6	
30-10003-00	MacroAir Network Controller 30	
30-10010-00	AirLynk - BacNet	
30-10011-00	AirLynk - LonWorks	
10-80632-00	Repeater	
90-30044-00	AVD3 12-Year Prorated Warranty	

\* The 480 volt AVD3 is not UL Certified  
 \*\* Calculation based on AMCA 230-99 equation

## BASIC SPECIFICATIONS

AIRFOIL DIAMETER	10ft	12ft	14ft	16ft	18ft	20ft	24ft
Airfoil Style	7.375" Extruded Anodized Aluminum Airfoil						
Number of Airfoils	3						
<b>PERFORMANCE</b>							
Max Displacement Forward*	70,000 CFM [1,990 CMM]	84,000 CFM [2,370 CMM]	117,000 CFM [3,330 CMM]	125,000 CFM [3,530 CMM]	166,000 CFM [4,700 CMM]	211,000 CFM [5,980 CMM]	248,000 CFM [7,020 CMM]
Max Displacement Reverse*	43,000 CFM [1,230 CMM]	59,000 CFM [1,670 CMM]	87,000 CFM [2,470 CMM]	111,000 CFM [3,160 CMM]	134,000 CFM [3,810 CMM]	156,000 CFM [4,410 CMM]	175,000 CFM [4,960 CMM]
Max Speed	166 RPM	135 RPM	118 RPM	91 RPM	87 RPM	81 RPM	63 RPM
Max Power Usage	480 W	510 W	590 W	430 W	610 W	780 W	810 W
Recommended Industry Spacing**	55 ft [16.8 m]	60 ft [18.3 m]	70 ft [21.3 m]	75 ft [22.9 m]	80 ft [24.4 m]	90 ft [27.4 m]	95 ft [29 m]
Max Affected Area***	5200 ft <sup>2</sup> [483 m <sup>2</sup> ]	6,700 ft <sup>2</sup> [622 m <sup>2</sup> ]	8,900 ft <sup>2</sup> [827 m <sup>2</sup> ]	9,600 ft <sup>2</sup> [892 m <sup>2</sup> ]	12,600 ft <sup>2</sup> [1,171 m <sup>2</sup> ]	15,400 ft <sup>2</sup> [1,431 m <sup>2</sup> ]	17,000 ft <sup>2</sup> [1,579 m <sup>2</sup> ]
Sound Level dBA at Max Speed****	56	55	54	52	52	54	51
<b>WEIGHT</b>							
Hanging Weight	129 lb [58.5 kg]	133 lb [60.3 kg]	137 lb [62.1 kg]	141 lb [64 kg]	145 lb [65.8 kg]	149 lb [67.6 kg]	162 lb [73.5 kg]
<b>MOTOR AND DRIVE TRAIN</b>							
Motor Type	Gearless Direct Drive						
Equivalent Horsepower Rating	1.05 HP						
Max Operating Temp	122°F [50°C]						
<b>MAX AMP DRAW / RECOMMENDED FUSE</b>							
208-240 VAC Single Phase	3.5A / 5	3.7A / 5	4.3A / 5	3.2A / 5	4.5A / 5	5.7A / 10	6A / 10
208-240 VAC Three Phase	2.5A / 5	2.6A / 5	2.9A / 5	2.4A / 5	3A / 5	3.6A / 5	3.8A / 5
460-480 VAC Three Phase	1.1A / 5	1A / 5	1.3A / 5	1A / 5	1.3A / 5	1.8A / 5	1.7A / 5
<b>POWER AND CONTROLS</b>							
Power Source High	Three Phase 480 VAC +/-5%, 50/60 Hz						
Power Source Low	Single Phase or Three Phase (208-240) VAC +/-5%, 50/60 Hz						
Control Options	Digital Touchpad, MacroAir Controller 6 and 30, AirLynk - BacNet / LonWorks						
<b>INSTALLATION</b>							
Mounting Hardware	Standard Mount						
Drop Length	In addition to the standard drop length supplied, optional drop lengths are available in 1in increments; all drop lengths require guy wires						
<b>RATINGS AND COMPLIANCE</b>							
Fire and Sprinkler	NFPA Compliant						
Wash Down Duty Rating	IP65						
Certifications	UL 507****, CE						

\*Calculation based on AMCA 230-99 equation

\*\*Delivers 2.8-4.2 ft/s [0.86-1.27 m/s] of average air speed in the occupied space. This relates to perceived cooling or set point change of 4.9-6.1 F [2.7-4.3 C]. Consult our online AirViz tool for more details

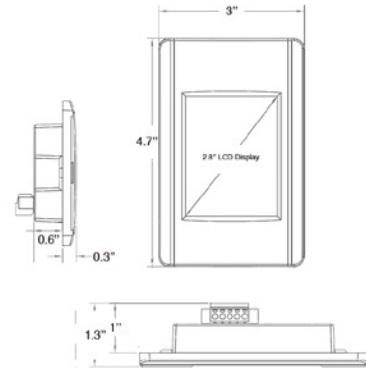
\*\*\*Delivers 2.7-3.8 ft/s [0.82-1.16 m/s] of average air speed in the occupied space. This relates to a perceived cooling or set point change of 4.8-5.8 F [2.6-3.2 C]. Consult our online AirViz tool for more details.

\*\*\*\*Sound testing taken with the sensor 5 ft above the ground and 20 ft from the center of the fan at 20 ft high.

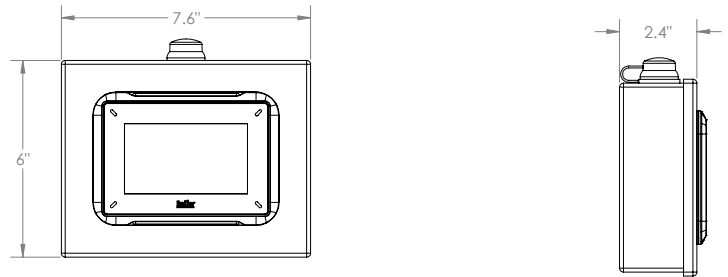
\*\*\*\*\* The 460-480 volt AVD3 is not UL Certified

## CONTROL OPTIONS

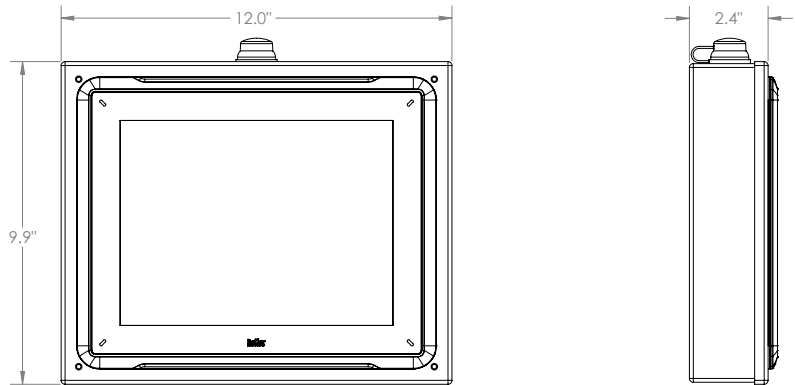
### Digital Touchpad Controller



### MacroAirController 6



### MacroAirController 30



## PROJECT

### Project Information

Job Name \_\_\_\_\_  
 Address \_\_\_\_\_  
 City \_\_\_\_\_ State \_\_\_\_\_  
 Distributor \_\_\_\_\_  
 Quantity \_\_\_\_\_

### Certified By

Name \_\_\_\_\_  
 Company \_\_\_\_\_  
 Address \_\_\_\_\_  
 City \_\_\_\_\_ State \_\_\_\_\_  
 Date \_\_\_\_\_